



# Specification Document

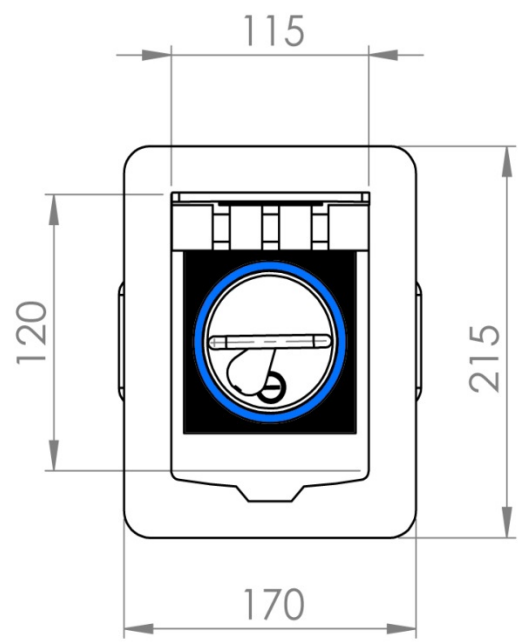
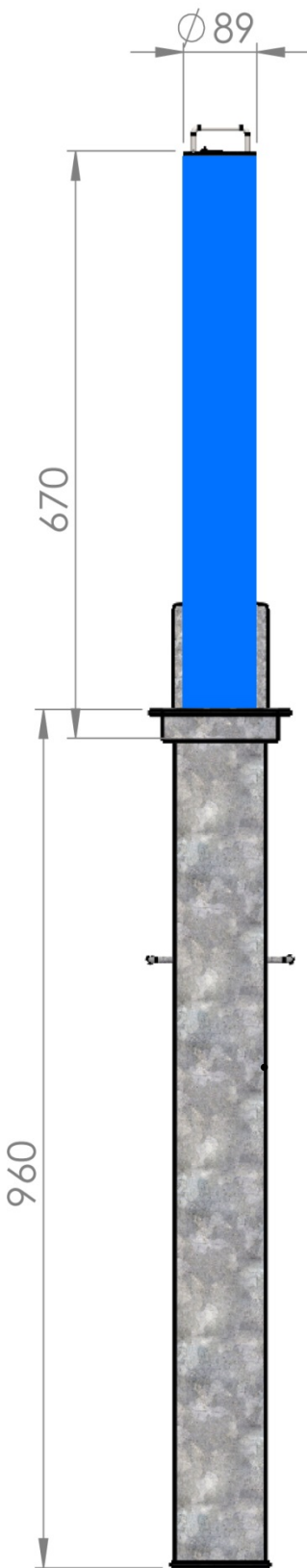
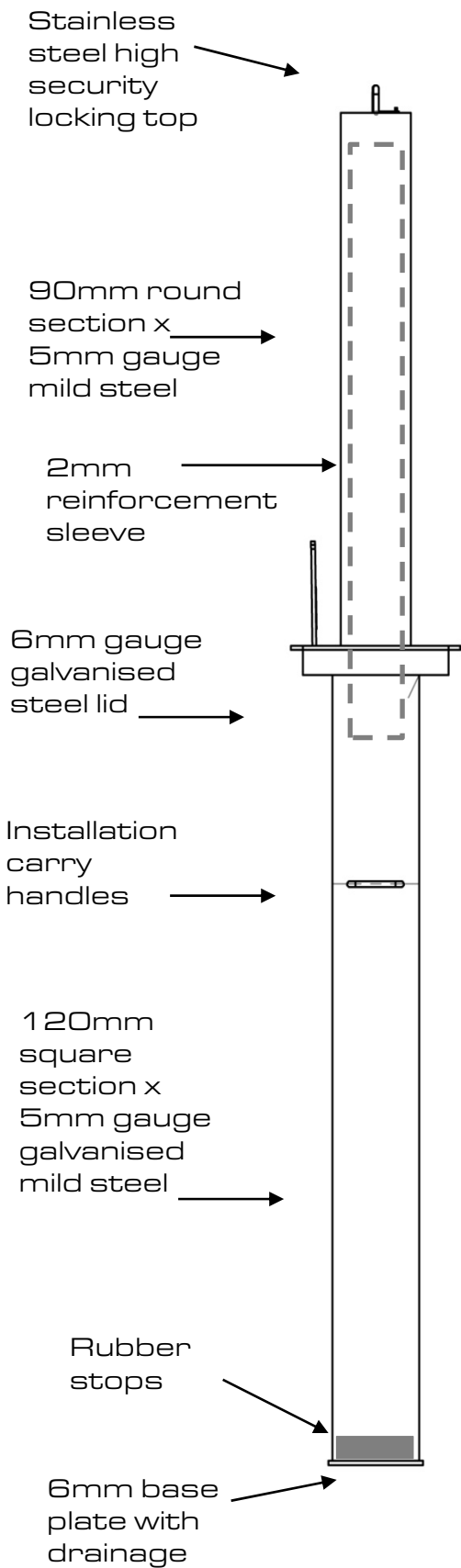
Retractable Series: Heavy Duty  
Round Bollard

RRB/R8



- Secured by Design accredited
- Sold Secure Gold level approved
- Practical, simple to use security solution for protecting perimeter access
- Standard post finish galvanised
- Optional powder coating to most RAL/BS colours
- Added internal heavy duty reinforcement sleeve



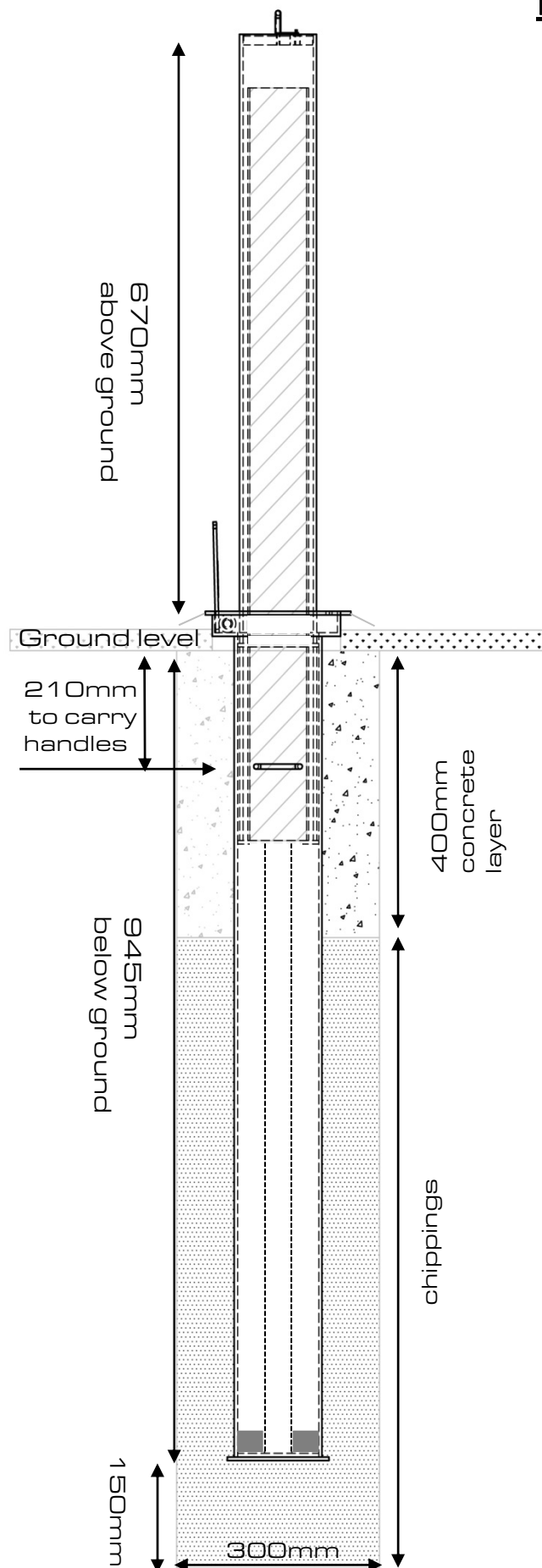


**Specification**

- 5mm gauge mild steel with added 2mm reinforcement sleeve.
- Optional powder coating to most RAL/BS colours
- 10 pin push button anti drill high security lock
- Ring-pull style lock cover
- Stainless steel lifting handle
- Operation lifting weight 14kg (total weight 42kg)
- Flush 6mm gauge galvanised access ground cover plate
- Heavy duty 5 mm gauge galvanised ground casing for maximum strength
- Galvanised to BS EN ISO 1461 (2009)
- Rubber stops in base



# INSTALLATION INSTRUCTIONS



• DRAWING NOT TO SCALE

- Determine position of installation. Recommended distance between centres 1 250mm, maximum 1 400mm centres.
- Break surface approx. 300mm square and bore a hole 150mm deeper than the bollard to be installed.
- Fill the hole with approx. 150mm base of 20mm clean chippings.

• DO NOT USE PEA GRAVEL.

• DO NOT PUT CONCRETE AROUND THE BASE OF BOLLARD.

- Lower post onto chippings and check the height. Lid surround of post should be a minimum of 5mm to a maximum of 25mm above ground level depending on ground conditions. Add / remove aggregate until desired height is achieved.
- Keep post central in bore hole and continue to add aggregate until post is standing upright unassisted.

• Withdraw the sliding post and manoeuvre into vertical position using a spirit level.

- Continue to add chippings and tamp down every 150mm until approx. 400mm from the surface
- Fill remainder of hole with 4:2:1 concrete mix, and trowel off neatly to the lid surround, leaving slight fall away.

• Wipe lid and surround clean with damp cloth.

• Final check using spirit level and retract post gently into ground and lock.

• Leave for 24hours before operating.

• Groundworks variable depending on site conditions.

## MAINTENANCE

• Keep sliding post clean during install and use.

• Always lock bollard in the down position when not in use.

• Flush out and lock with WD40 or similar and then lubricate with a suitable silicone based lock lubricant weekly.

• Always cover the lock with the locking plate.

• Always close lid plate when bollard is retracted.

• **FAILURE TO COMPLY WITH THESE INSTRUCTIONS MAY CAUSE MALFUNCTION OF THE POST AND INVALIDATION OF YOUR WARRANTY. PLEASE ADHERE TO THEM.**